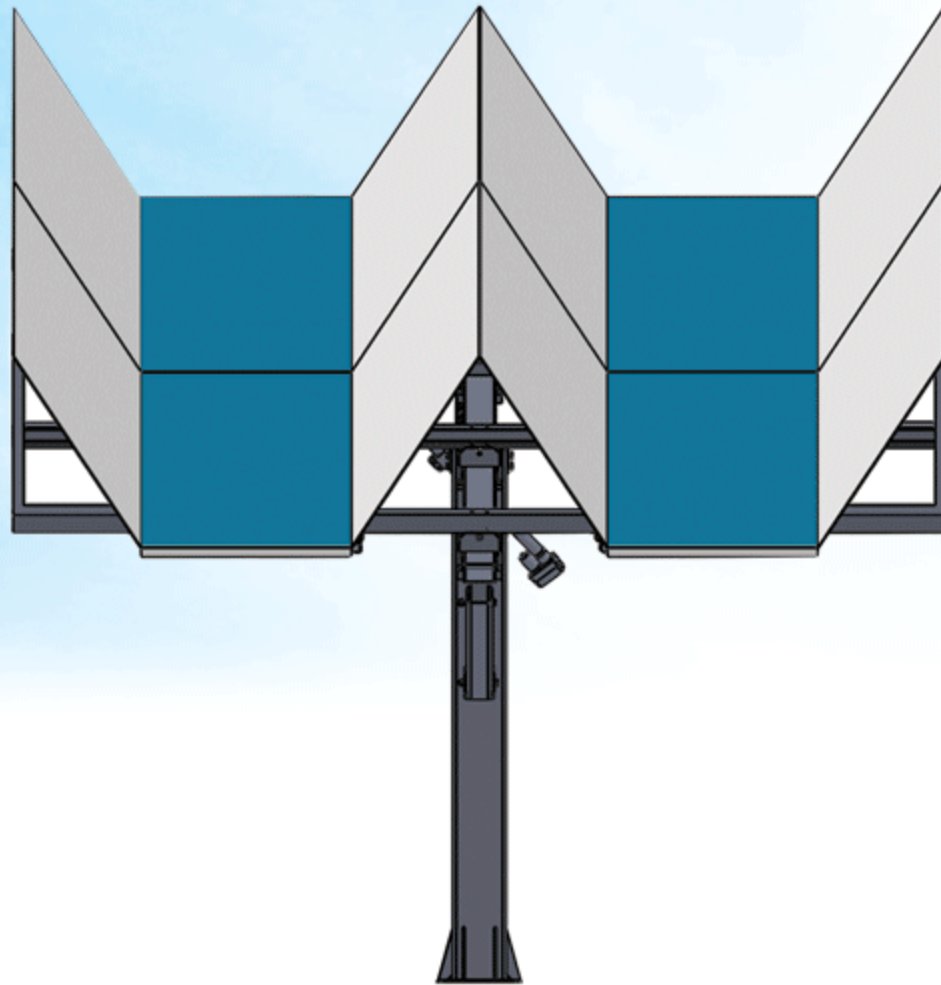


# Everlight Single Axis Tracker ELT-120C



Our **ELT-120C** is ideal for residential and small commercial applications where optimizing space and power generation are prime considerations. All trackers feature single axis rotation, chronological tracking PLC and linear actuator drive mechanisms for optimal performance with the least amount of maintenance and power consumption.

## KEY FEATURES

### Superior Performance

- Maximizes panel exposure to sunlight, increasing peak performance time
- PLC based chronological tracking
- Additional power output of four to five times in comparison to fixed module installation
- Provides optimal performance with the least amount of maintenance

### Solid Construction

- Robust, single axis linear drive mechanism
- Made with high quality hot-dip galvanized steel for strength and durability
- Engineered to withstand adverse conditions and provide years of worry free service

### Convenience

- Use with conventional solar modules, PV-Thermal models and concentrators
- Ground level mounting means easy maintenance access
- All components pre-assembled, no field fabrication required
- Can be installed on irregularly shaped landscapes
- Returns to sunrise position automatically

### Lower Costs

- Simple, low-profile design with fewer parts
- Operation consumes < 1.5Kwh/year
- Linear actuator drive free of maintenance
- Requires minimal field leveling and site preparation
- Easy and rapid installation with preassembled parts and
- Everlight' s ground screw system



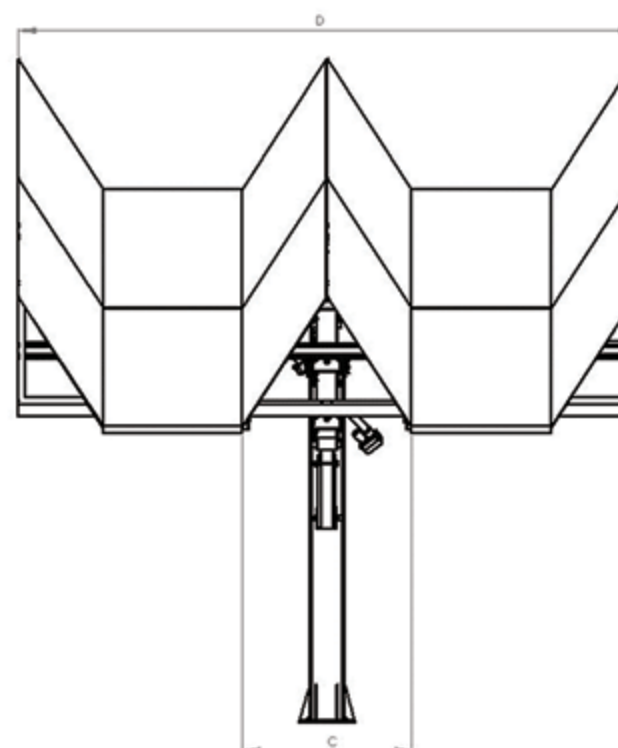
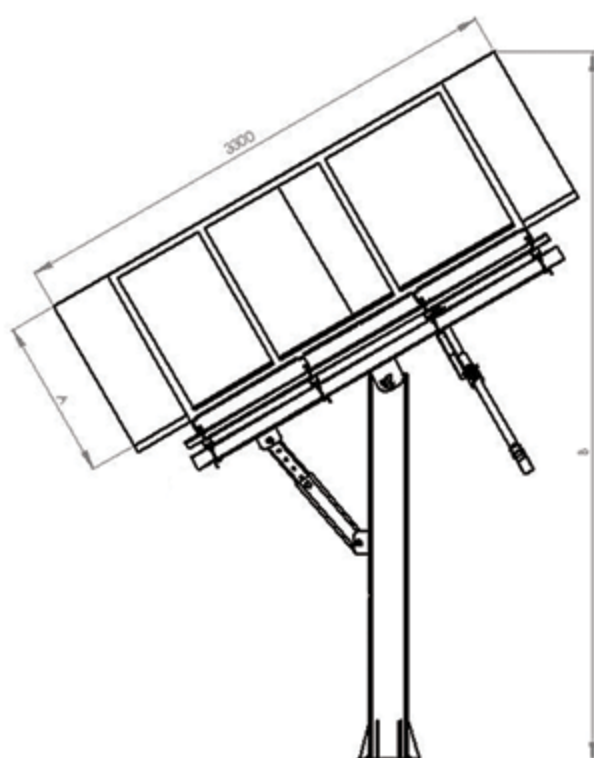
**Worldwide Sales Agent**  
**Blue Dragon Trade Limited**  
 Room 2301, 23/F, World-Wide House, 19 Des Voeux Road, Central, Hong Kong  
 Tel: +852 2916 8888 Fax: +852 2830 8800  
 URL: [www.bd-trade.com](http://www.bd-trade.com)



**Manufactory-China**  
**Helios Photovoltaic Co., Ltd.**  
 Unit 3A, 86 West Wujin Avenue, 213164, Changzhou, Jiangsu Province, China  
 Tel: +86 519 8648 8901/2/3 Fax: +86 519 8648 2889  
 URL: [www.helios-pv.com](http://www.helios-pv.com)

# ELT-120C Technical Specifications

Power	Up to 4KWp
Number of Solar Panels	4
Type of Panels	EL-60/6PS (PVT)
Elevation East-West	-30°/+30°
Inclination North-South	20°to 60°
Speed of the Wind (Max.)	<145km/h
Load of the Snow (Max.)	<0.5 kN/m <sup>2</sup>
Height (Max.)	Up to 3.1meters
Weight Loading(Max.)	570Kg
Power Self-consumption	4Wh day (<1.5Kwh/year)
Energy supply of tracking drive	24V, provided by one of the tracked modules
Materials	Hot-dip Zn-coated steel, Aluminum frame with stainless steel screws
Drive	DC linear drive
Government & Control	Astronomic programming by means of PLC
Automation	Interconnection and integral management routing
Codes & Standards	Carry CE Mark; UL Listed Controller; All structural steel to ASTM A36, A53, A500 or A992; Galvanization to ASTM A123M-02
Warranty	5 years renewable up to 25 years according to contract



## Included in Delivery

Frame and fixation elements, made of steel, Zn-coated  
Stainless steel screws for module fixation  
Electronics including battery  
Linear drive  
Mounting pole

## Foundation

Concrete foundation (3m<sup>3</sup>)  
Ground Screw foundation (No digging, fast and easy installation method)  
Ram foundation

## Note:

Due to continuous innovation, research and production improvement, design and specifications are subject to change without notice. No rights can be derived from this product information sheet and Everlight assumes no liability whatsoever connected to or resulting from the use of any information contained herein. Kindly contact Everlight to obtain the latest product manuals before using.

*Solar is the future*  
www.everlight-solar.com



Everlight Corporation Ltd.  
2506, West Tower, Shun Tak Centre, 168-200  
Connaught Road, Central, Hong Kong  
Tel: +852 6614 4916 Fax: +852 2815 1975