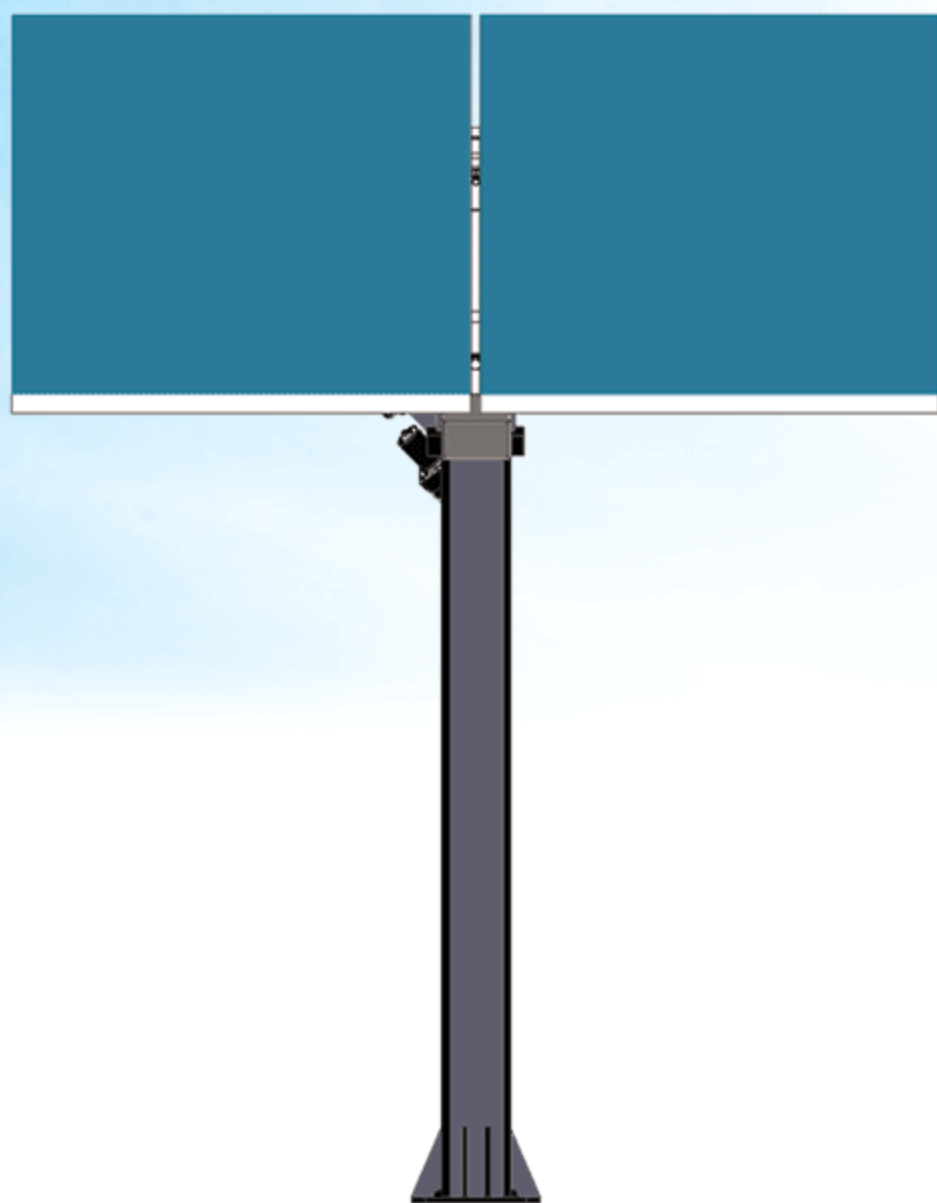


# Single Axis Solar Tracker ELT-20



Everlight solar trackers are designed to produce the highest economical performance of any tracking systems with a combination of superior power generation; it can increase the power yield by as much as 40% compared to stationary PV systems, providing substantially greater returns on your investment.

## Applications

- Single-axis tracking systems for use with conventional solar modules
- Perform well as mounts for residential PV systems

## KEY FEATURES

### Superior Performance

- Maximizes panel exposure to sunlight, increasing peak performance time
- PLC based chronological tracking

### Solid Construction

- Robust, single axis linear drive mechanism
- Made with high quality hot-dip galvanized steel for strength and durability
- Engineered to withstand the elements and provide years of worry free service

### Convenience

- Ground level mounting means easy access
- Returns to sunrise position automatically

### Lower Costs

- Simple, low-profile design with fewer parts
- Operation consumes < 1.5Kwh/year
- Linear actuator drive free of maintenance
- Requires minimal field leveling and site preparation
- Easy and rapid installation with preassembled parts and Everlight' s ground screw system



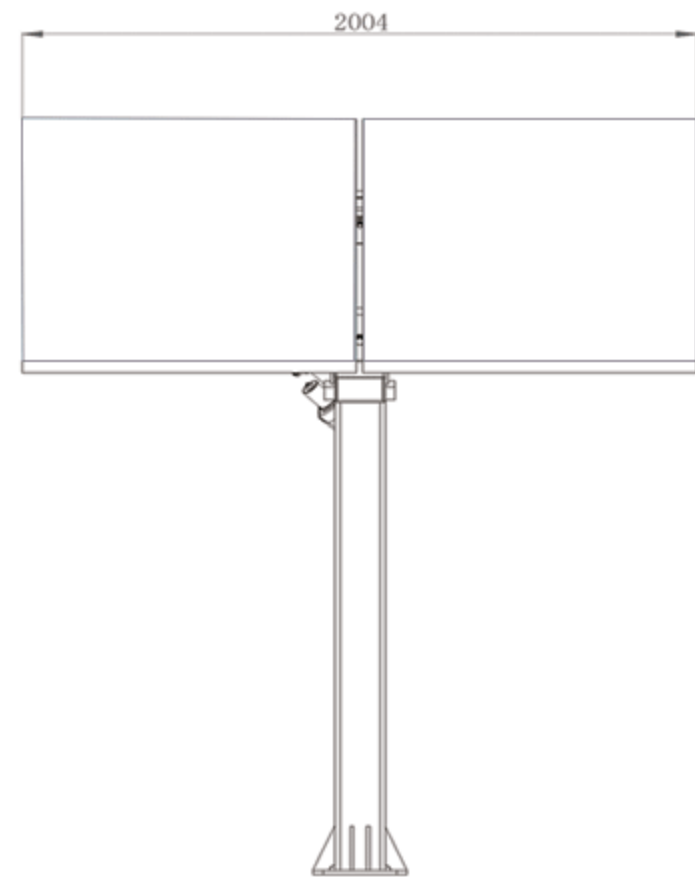
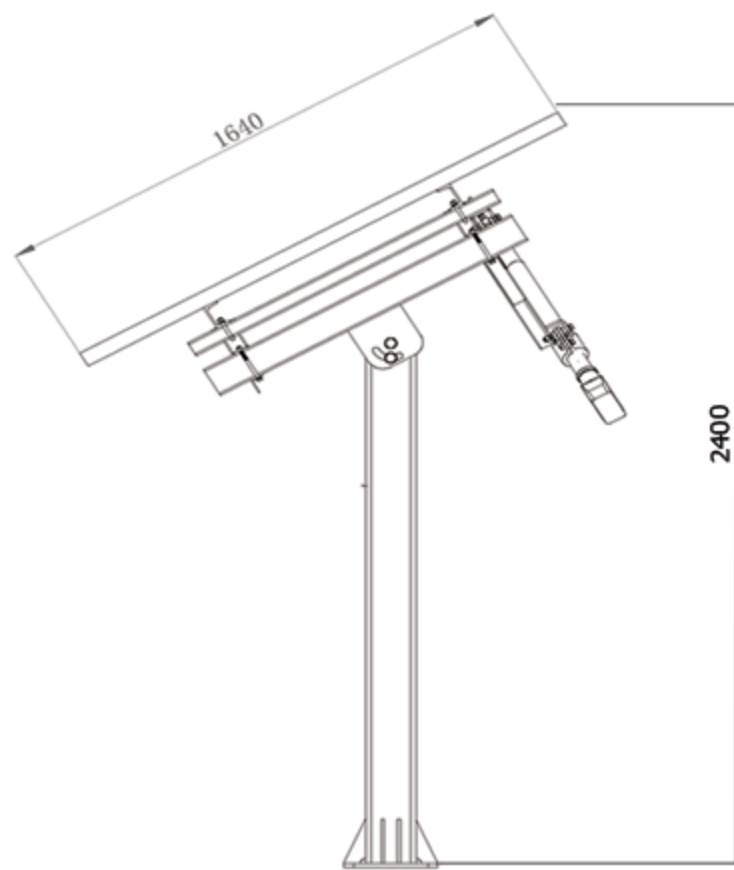
Worldwide Sales Agent  
Blue Dragon Trade Limited  
Room 2301, 23/F, World-Wide House, 19 Des  
Voeux Road, Central, Hong Kong  
Tel: +852 2916 8888 Fax: +852 2830 8800  
URL: [www.bd-trade.com](http://www.bd-trade.com)



Manufactory-China  
Helios Photovoltaic Co., Ltd.  
Unit 3A, 86 West Wujin Avenue, 213164, Changzhou,  
Jiangsu Province, China  
Tel: +86 519 8648 8901/2/3 Fax: +86 519 8648 2889  
URL: [www.helios-pv.com](http://www.helios-pv.com)

## ELT-20 Technical Specifications

Power	Up to 500Wp
Module Surface	Up to 3.2m <sup>2</sup>
Number of PV Modules	2
Type of PV Modules	Most conventional PV modules from 90Wp to 250Wp
Elevation East-West	-45°/+45°
Inclination North-South	20° to 60°
Speed of the Wind (Max.)	<145km/h
Load of the Snow (Max.)	<0.5 kN/m <sup>2</sup>
Height (Max.)	Up to 2.4m
Weight Loading(Max.)	80Kg
Power Self-consumption	4Wh day (<1.5Kwh/year)
Energy supply of tracking drive	24V, provided by one of the tracked modules
Materials	Hot-dip Zn-coated steel, aluminum frame with stainless steel screws
Drive	DC linear drive
Government & Control	Astronomic programming by means of PLC
Automation	Interconnection and integral management routing
Codes & Standards	Carry CE Mark; UL Listed Controller; All structural steel to ASTM A36, A53, A500 or A992; Galvanization to ASTM A123M-02
Warranty	5 years renewable up to 25 years according to contract



### Foundation

Concrete foundation (3m<sup>3</sup>)  
Ground Screw foundation (No digging,  
fast and easy installation method)  
Ram foundation

### Included in Delivery

Frame and fixation elements, made of steel,  
Zn-coated  
Stainless steel screws fro module fixation  
Electronics including battery  
Linear drive  
Mounting pole

### Note:

Due to continuous innovation, research and production improvement, design and specifications are subject to change without notice. No rights can be derived from this product information sheet and Everlight assumes no liability whatsoever connected to or resulting from the use of any information contained herein. Kindly contact Everlight to obtain the latest product manuals before using.

*Solar is the future*  
[www.everlight-solar.com](http://www.everlight-solar.com)



**Everlight Corporation Ltd.**  
2506, West Tower, Shun Tak Centre, 168-200  
Connaught Road, Central, Hong Kong  
Tel: +852 6614 4916 Fax: +852 2815 1975