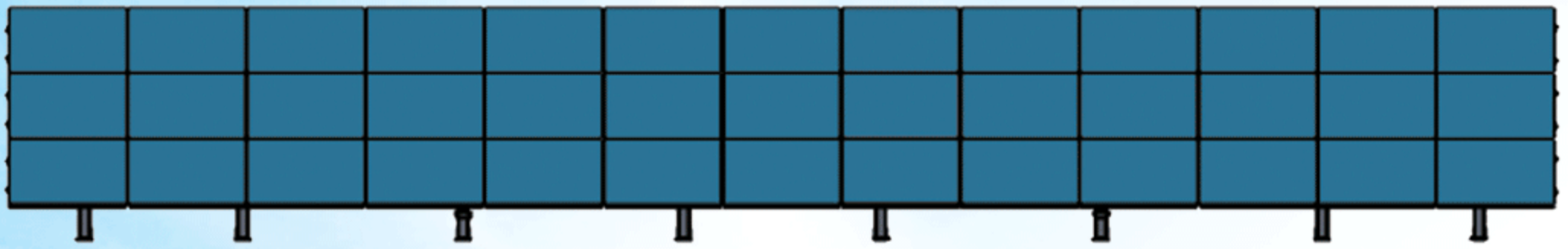


Single Axis Solar Tracker ELT-540E



Everlight ELT-540E Trackers are designed to provide high quality, cost effective tracking for utility scale power production. Incorporating tracking capabilities in your solar power production facility will generate larger returns on your investment and reduce your system's buy back time. Our solar trackers increase the amounts of sunlight PV panels are exposed to, lengthening their peak performance time and generating more electricity. Compared to static solar arrays, the ELT-540E can increase a system's power output by 10-30% greatly increasing power output over the life of the system.

Each unit is capable of accommodating up to 39 individual solar panels. Structural elements are made from high quality hot-dip galvanized steel for strength and support. Tracker motion is provided via a robust and dependable single axis, linear drive motor. The ELT-540E utilizes chronologically based PLC to accurately track the sun.

KEY FEATURES

Superior Performance

- Maximizes panel exposure to sunlight, increasing peak performance time
- PLC based chronological tracking
- Additional power output of up to 30% in comparison to fixed module installation
- Provides optimal performance with the least amount of maintenance

Solid Construction

- Robust, single axis linear drive mechanism
- Made with high quality hot-dip galvanized steel for strength and durability
- Engineered to withstand the elements and provide years of worry free service

Convenience

- Use with conventional solar modules, PV-Thermal models and concentrators
- Ground level mounting means easy maintenance access
- All components pre-assembled, no field fabrication required
- Can be installed on irregularly shaped landscapes
- Returns to sunrise position automatically

Lower Costs

- Simple, low-profile design with fewer parts
- Operation consumes < 1.5Kwh/year
- Linear actuator drive free of maintenance
- Requires minimal field leveling and site preparation
- Easy and rapid installation with preassembled parts and Everlight's ground screw system



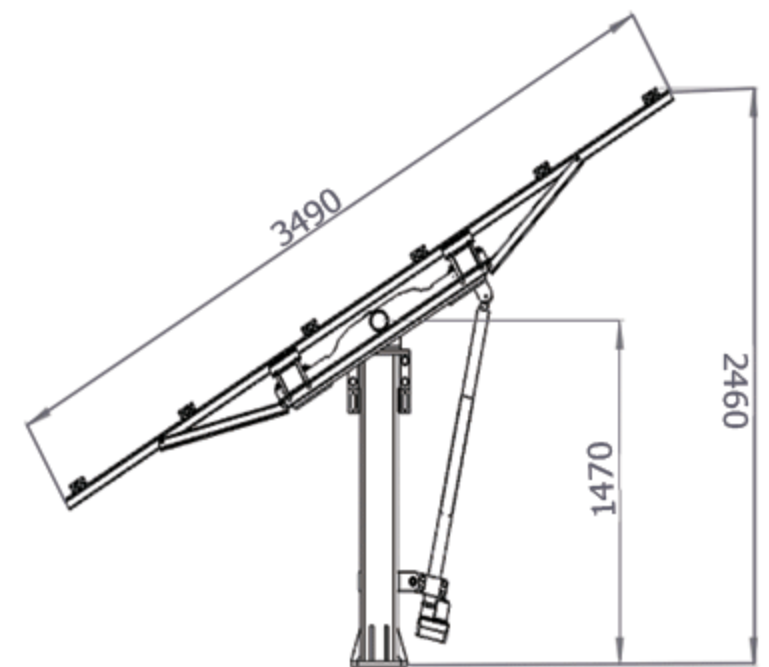
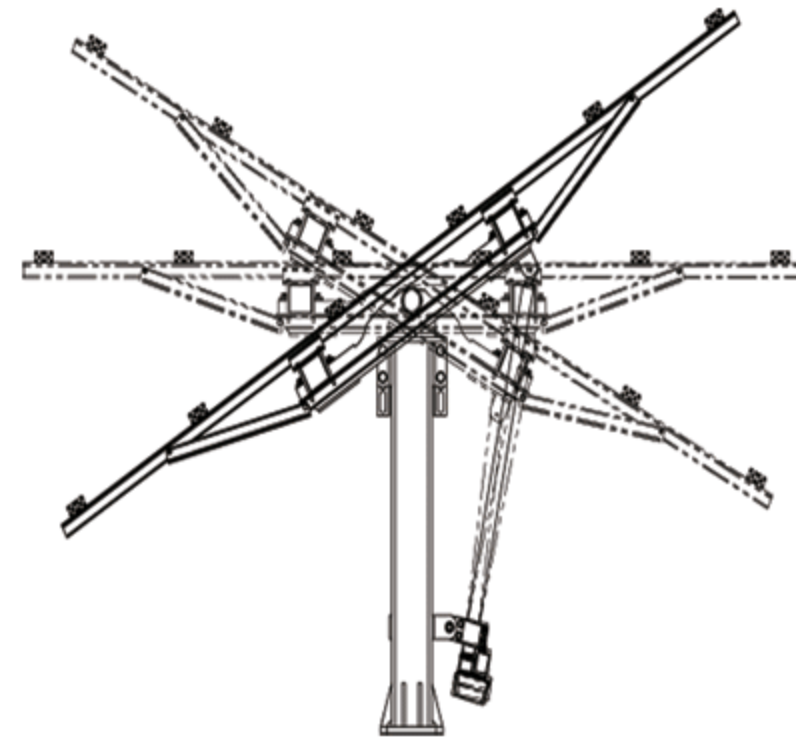
Worldwide Sales Agent
Blue Dragon Trade Limited
 Room 2301, 23/F, World-Wide House, 19 Des Voeux Road, Central, Hong Kong
 Tel: +852 2916 8888 Fax: +852 2830 8800
 URL: www.bd-trade.com



Manufactory-China
Helios Photovoltaic Co., Ltd.
 Unit 3A, 86 West Wujin Avenue, 213164, Changzhou, Jiangsu Province, China
 Tel: +86 519 8648 8901/2/3 Fax: +86 519 8648 2889
 URL: www.helios-pv.com

ELT-540E Technical Specifications

Power	Up to 15KWp
Module Surface	Up to 100m ²
Number of PV Modules	39
Type of PV Modules	156mmx156mm 96pcs crystalline air cooled module EL-96/6MS (AC) Series
Module Configuration	Three modules stacked in landscape (standard)
Module Rotation Structure	Dual rectangular rotation beams
Module Support Structure	Aluminum Panel Rails
Elevation East-West	-30°/+30°
Wind Load (Max.)	<145km/h
Wind Protection	Array automatically stows to 0°at 100km/h
Snow Load (Max.)	<0.5 kN/m ²
Array Height	Up to 2460mm
Weight (w/o module & base)	2578KG
Weight Loading	1950KG
Power Self-consumption	4Wh day (<1.5kwh/year)
Energy supply of tracking drive	24V, provided by one of the tracked modules
Materials	Hot-dip Zn-coated steel, aluminum frame with stainless steel screws
Drive	Two DC linear drive
Drive Motor	3 Phase, Configurable voltage
Government & Control	Astronomic programming by means of PLC
Automation	Interconnection and integral management routing
Codes & Standards	Carry CE Mark; UL Listed Controller; All structural steel to ASTM A36, A53, A500 or A992; Galvanization to ASTM A123M-02
Warranty	5 years renewable up to 25 years according to contract



Foundation

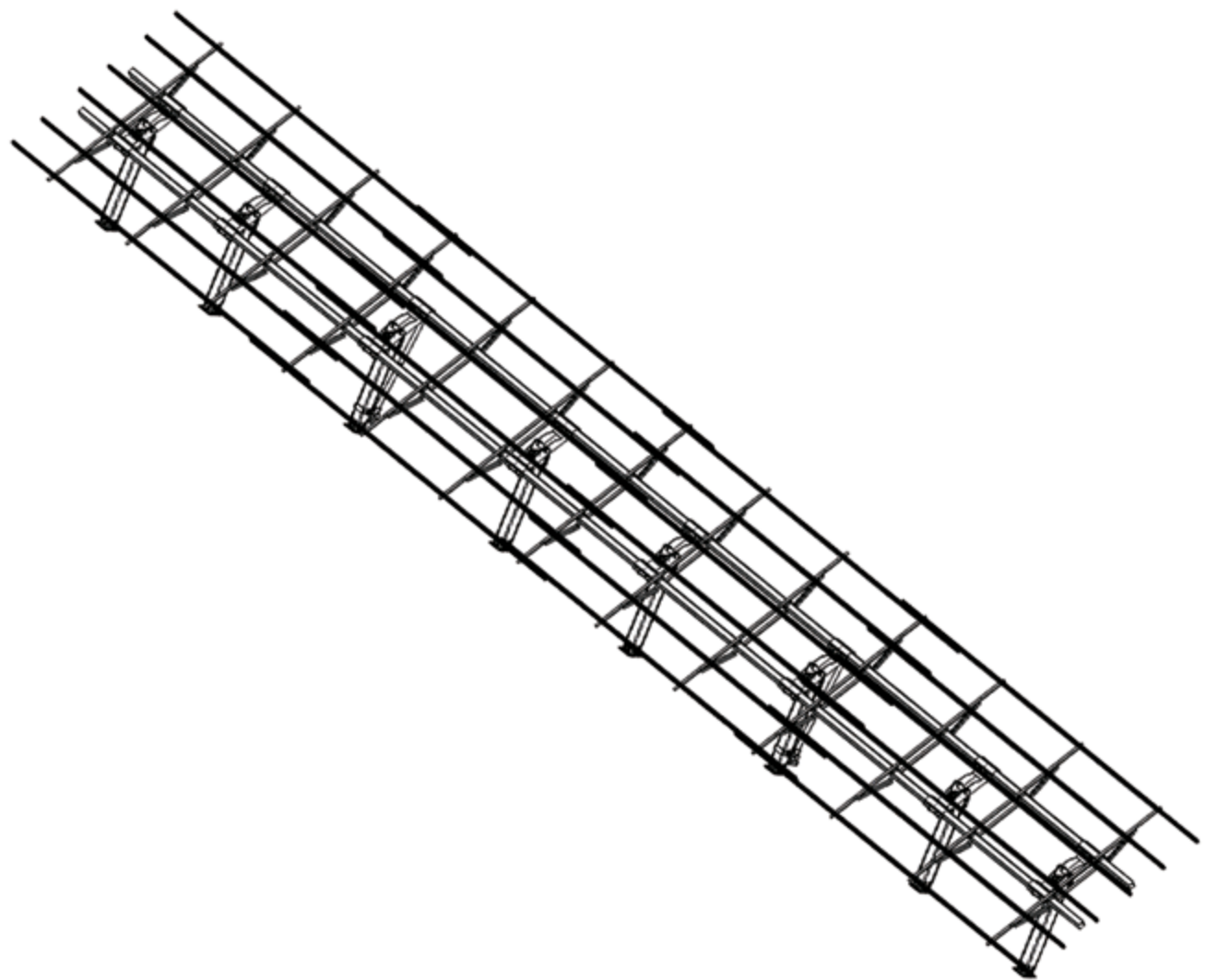
- Concrete foundation (3m³)
- Ground Screw foundation (No digging, fast and easy installation method)
- Ram foundation

Included in Delivery

- Frame and fixation elements, made of steel, Zn-coated
- Stainless steel screws for module fixation
- Electronics including battery
- Linear drive
- Mounting pole

Note:

Due to continuous innovation, research and production improvement, design and specifications are subject to change without notice. No rights can be derived from this product information sheet and Everlight assumes no liability whatsoever connected to or resulting from the use of any information contained herein. Kindly contact Everlight to obtain the latest product manuals before using.



Solar is the future
www.everlight-solar.com



Everlight Corporation Ltd.
2506, West Tower, Shun Tak Centre, 168-200
Connaught Road, Central, Hong Kong
Tel: +852 6614 4916 Fax: +852 2815 1975