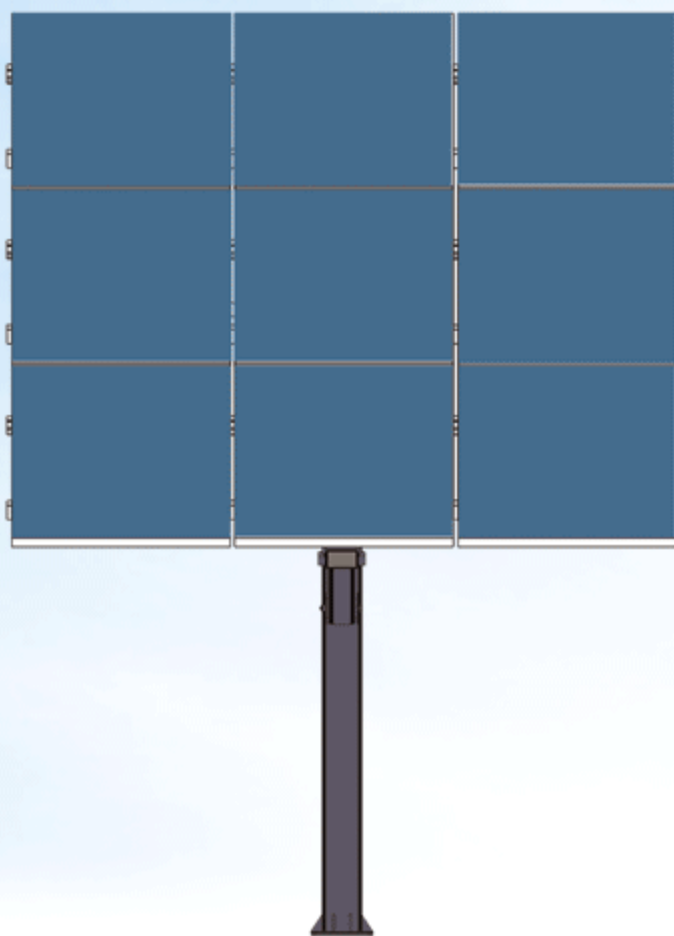


# Single Axis Solar Tracker      ELT-90



Our ELT-90 is ideal for residential and small commercial applications where optimizing space and power generation are prime considerations.

All trackers feature single axis rotation, GPS tracking and linear actuator drive mechanisms for optimal performance with the least amount of maintenance.

## KEY FEATURES

### Superior Performance

- Maximizes panel exposure to sunlight, increasing peak performance time
- Additional power output of up to 40% in comparison to fixed module installation
- Angle of second axis manually adjustable 20 ° - 60°
- GPS provides the most accurate and reliable solar tracking
- PLC based chronological tracking with complete history data access
- Automatic stowing parallel to ground in wind speeds >100km/hr

### Convenience

- Ground level mounting means easy access
- Returns to sunrise position automatically
- Can be easily mounted onto available Everlight ground screws

### Solid & safe Construction

- Robust, single axis linear drive with free maintenance
- Made with the high-strength, hot-dip galvanized steel, processed by fine craftsmanship
- Engineered to withstand the elements and provide years of worry free service
- Meets IP65 electrical standards
- Multi-Monitoring functions and alarming system secure the performance

### Lower Costs

- Simple, low-profile design with fewer parts
- Operation consumes < 1.5Kwh/year
- Linear actuator drive free of maintenance
- Requires minimal field leveling and site preparation
- Easy and rapid installation with preassembled parts and Everlight' s ground screw system



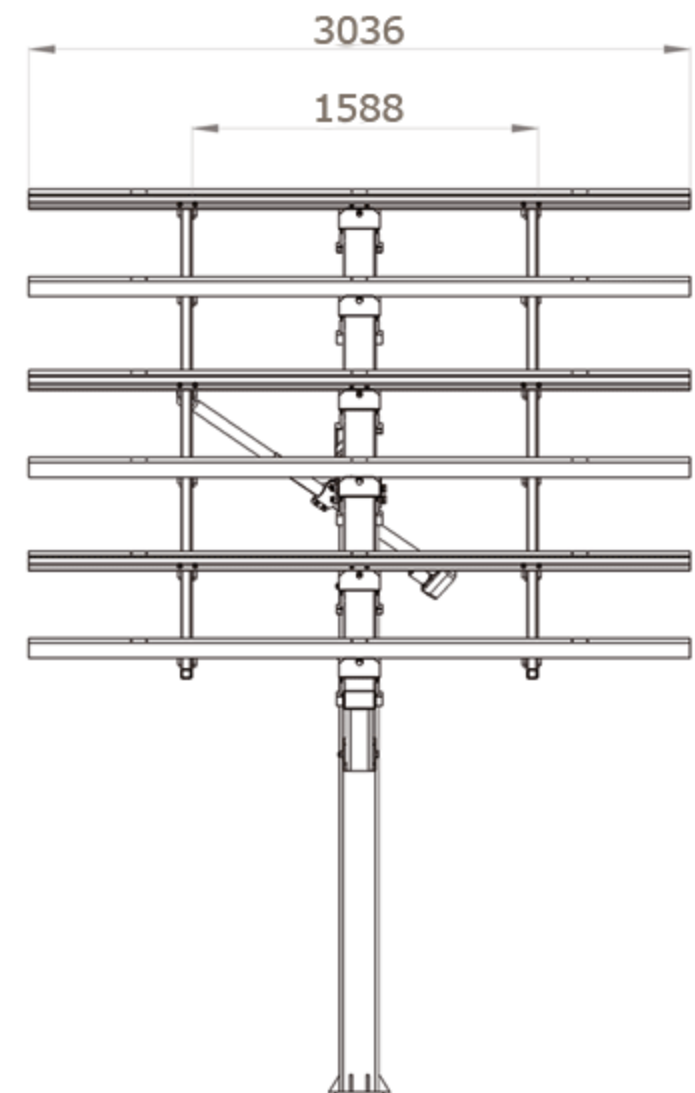
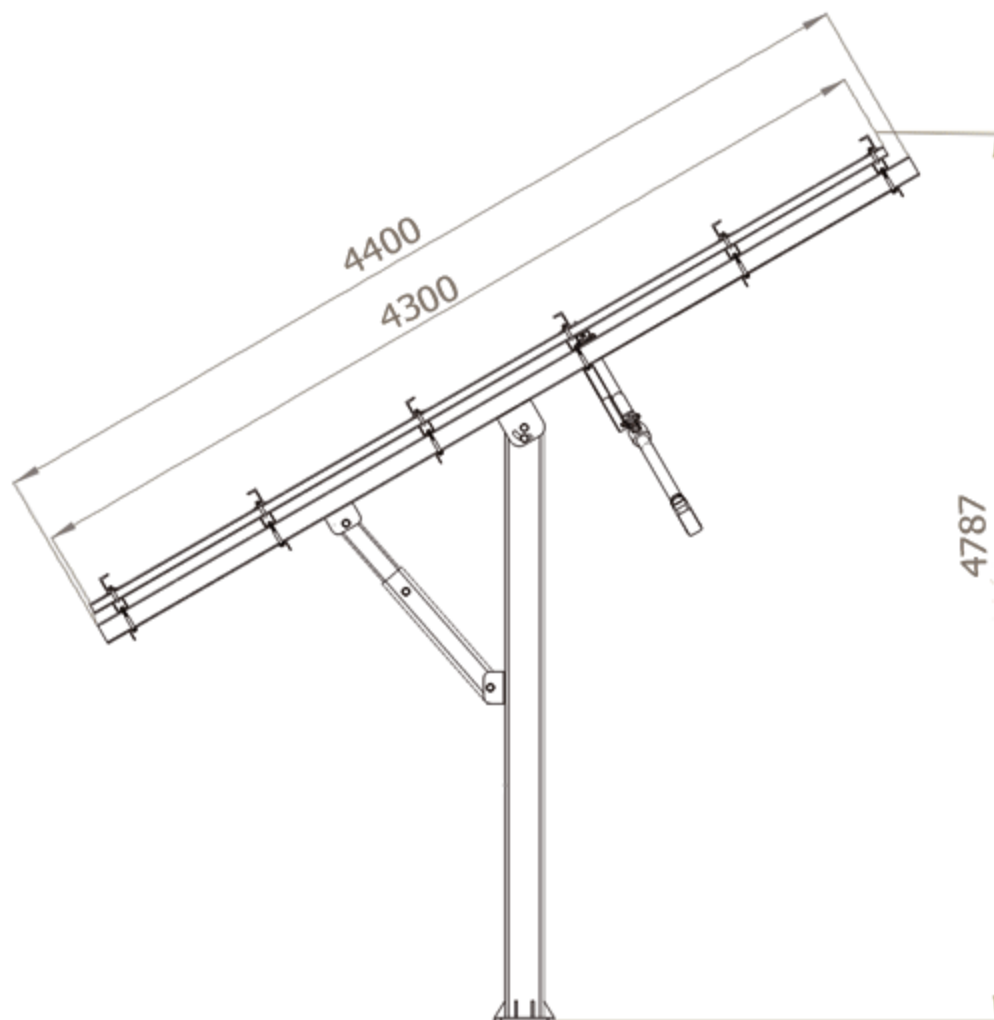
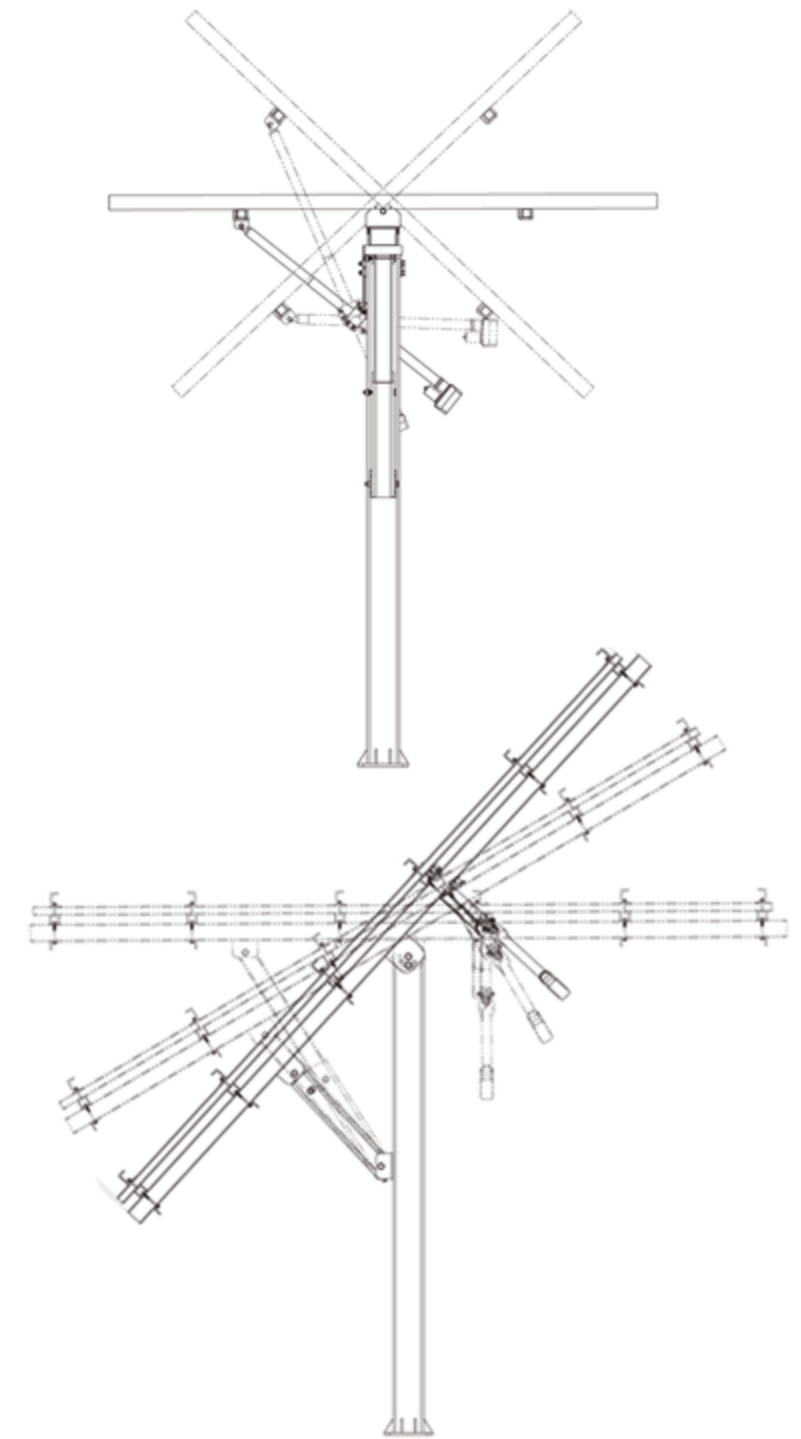
Worldwide Sales Agent  
**Blue Dragon Trade Limited**  
 Room 2301, 23/F, World-Wide House, 19 Des Voeux Road, Central, Hong Kong  
 Tel: +852 2916 8888 Fax: +852 2830 8800  
 URL: [www.bd-trade.com](http://www.bd-trade.com)



Manufactory-China  
**Helios Photovoltaic Co., Ltd.**  
 Unit 3A, 86 West Wujin Avenue, 213164, Changzhou, Jiangsu Province, China  
 Tel: +86 519 8648 8901/2/3 Fax: +86 519 8648 2889  
 URL: [www.helios-pv.com](http://www.helios-pv.com)

## ELT-90 Technical Specifications

Power	Up to 2.25KWp
Module Surface	Up to 15m <sup>2</sup>
Number of Solar PV Modules	9
Type of PV Modules	Most conventional PV modules from 90Wp to 400Wp
Inclination North-South	20° to 60°
Elevation East-West	-45°/+45°
Speed of the Wind (Max.)	<145km/h
Load of the Snow (Max.)	<0.5 kN/m <sup>2</sup>
Height (Max.)	Up to 4.8m
Weight Loading(Max.)	450KG
Power Self-consumption	4Wh day (<1.5Kwh/year)
Energy supply of tracking drive	24V, provided by one of the tracked modules
Materials	Hot-dip Zn-coated steel, aluminum frame with stainless steel screws
Drive	DC linear drive
Government & Control	Astronomic programming by means of PLC
Automation	Interconnection and integral management routing
Codes & Standards	Carry CE Mark; UL Listed Controller; All structural steel to ASTM A36, A53, A500 or A992; Galvanization to ASTM A123M-02
Warranty	5 years renewable up to 25 years according to contract



### Foundation

- Concrete foundation (3m<sup>3</sup>)
- Ground Screw foundation (No digging, fast and easy installation method)
- Ram foundation

### Included in Delivery

- Frame and fixation elements, made of steel, Zn-coated
- Stainless steel screws for module fixation
- Electronics including battery in plastic housing
- Linear drive
- Mounting pole

### Note:

Due to continuous innovation, research and production improvement, design and specifications are subject to change without notice. No rights can be derived from this product information sheet and Everlight assumes no liability whatsoever connected to or resulting from the use of any information contained herein. Kindly contact Everlight to obtain the latest product manuals before using.

*Solar is the future*  
www.everlight-solar.com



**Everlight Corporation Ltd.**  
2506, West Tower, Shun Tak Centre, 168-200  
Connaught Road, Central, Hong Kong  
Tel: +852 6614 4916 Fax: +852 2815 1975