

Ground Screws

ELT-S220/350



Everlight' s series of ground screws provide a solid foundation whatever your project needs. Our ground screws are engineered for easy installation and provide years of dependable service. There is no need for digging or laying a concrete foundation, drastically reducing the costs and time associated with installation. Everlight ground screws also lessen the environmental impact of you solar project, allowing your panel arrays to blend in more naturally into the terrain. Also importantly, Everlight ground screws are easily removable and reusable.

Everlight provides a comprehensive set of foundation solutions with our ground screw series. Our ground screws can provide foundations for protective fences and enclosures, signage posts, flag and billboard poles, sheds and storage buildings, patios and decks, home and park playground equipment, solar module arrays and many other applications. They provide strength and stability no matter what the weather or terrain conditions and are designed to last for many years.

KEY FEATURES

Convenience

- Easy to install, easy to use
- No digging or pouring of concrete needed
- Can be used in all types of soil
- Fastest possible installation time
- Ready for use immediately after installation

Environmentally friendly

- Compact design ensures the least impact on ground and surrounding area
- Minimal site preparation needed
- Since there is no need for concrete, the ground remains intact after screws are removed.

Durability

- Made with galvanized steel and welded screw threads
- Can be subjected to weight loads immediately after installation
- Provides solid foundation in all weather conditions
- 25-year anti-corrosion guarantee

Value

- Reduced installation time and cost
- Minimal materials required; provides the most cost effective foundation solution
- Lowers system buy back times
- Removable and reusable

Worldwide Sales Agent

Blue Dragon Trade Limited
 Room 2301, 23/F, World-Wide House, 19 Des
 Voeux Road, Central, Hong Kong
 Tel: +852 2916 8888 Fax: +852 2830 8800
 URL: www.bd-trade.com



Manufactory-China

Helios Photovoltaic Co., Ltd.
 Unit 3A, 86 West Wujin Avenue, 213164, Changzhou,
 Jiangsu Province, China
 Tel: +86 519 8648 8901/2/3 Fax: +86 519 8648 2889
 URL: www.helios-pv.com





APPLICATIONS

- Solar Power Systems
- Heavy Coustruction

GROUND SCREW INSTALLATION



Step1



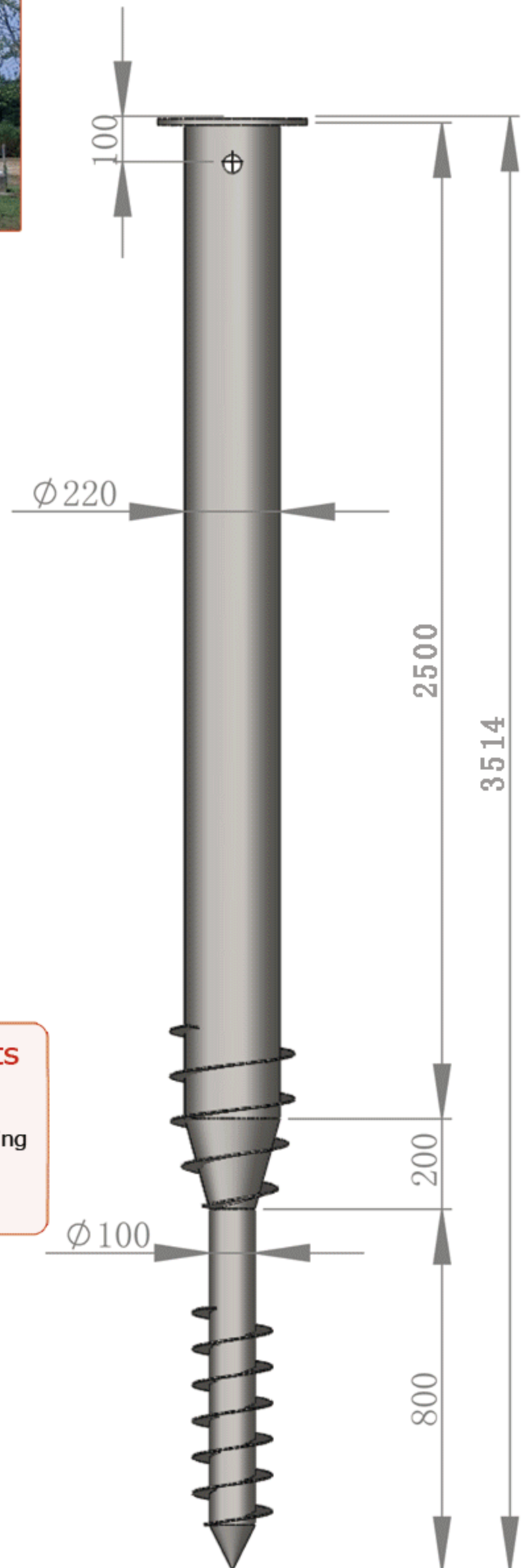
Step2



Step3

Technical Requirements

1. Thickness is 8mm
2. The thickness of hot-dip galvanizing on the surface is $\cong 65\mu\text{m}$
3. Weight is 156Kg



Note: Due to continuous innovation, research and production improvement, design and specifications are subject to change without notice. No rights can be derived from this product information sheet and Everlight assumes no liability whatsoever connected to or resulting from the use of any information contained herein. Kindly contact Everlight to obtain the latest product manuals before using.

Solar is the future
www.everlight-solar.com



Everlight Corporation Ltd.
 2506, West Tower, Shun Tak Centre, 168-200
 Connaught Road, Central, Hong Kong
 Tel: +852 6614 4916 Fax: +852 2815 1975